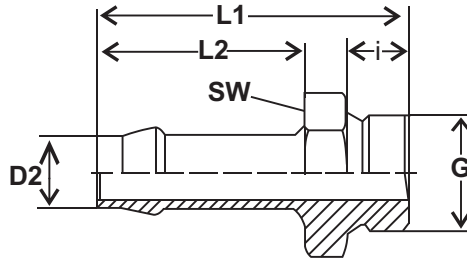


# HOSETAILS

ITEMS	DESCRIPTION	G	D2	L1	L2	i	SW
711316	M16-1/2 HOSETAILS	16X1.5	14	57	41	12	22
711322	M22-1/2 HOSETAILS	22X1.5	14	60	41	12	27



# TESTPOINTS

ITEMS	DESCRIPTION	FIG	G1	G2	L1	L2	SW
711600	M16 FEMALE	1	16X1.5	16X1.5	12	35	22
711800	M18 FEMALE	1	16X1.5	18X1.5	12	36	24
712200	M22 FEMALE	1	16X1.5	22X1.5	12	35	27
711601	M16 MALE	2	16X1.5	16X1.5	12	33	17
712201	M22 MALE	2	16X1.5	22X1.5	12	29	27

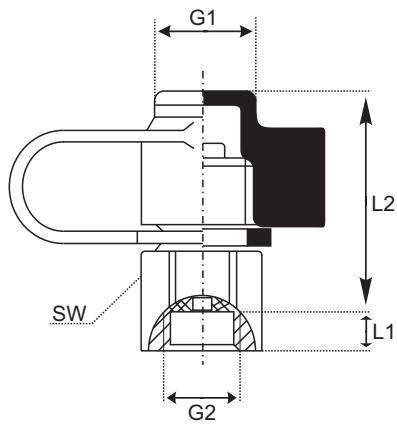


Fig 1

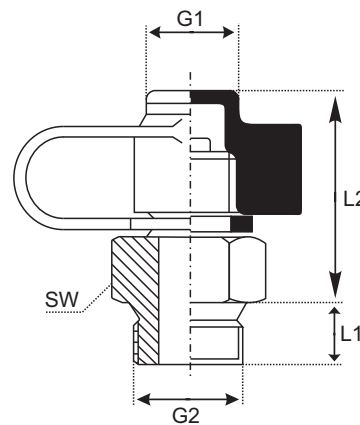


Fig 2