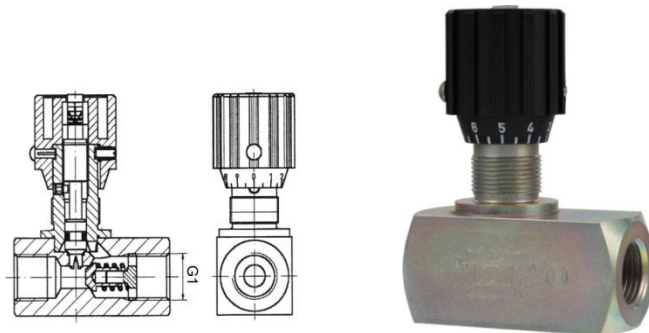
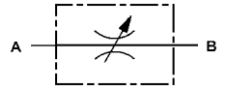
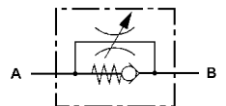


Drosselventile Typ DV / Throttle valve Type DV			
BSP-Innengewinde, Öffnungsdruck: 0,5 bar / with female thread BSP			
Art. Nr.	Bezeichnung	G1	WP
Art. N°	Description		(bar)
290.370	DV 1/4"	IG G1/4"	350
290.371	DV 3/8"	IG G3/8"	350
290.372	DV 1/2"	IG G1/2"	350
290.373	DV 3/4"	IG G3/4"	350
290.374	DV 1"	IG G1"	350



Drosselrückschlagventil Typ DRV / One way regulator Type DRV			
BSP-Innengewinde, Öffnungsdruck: 0,5 bar / with female thread BSP			
Art. Nr.	Bezeichnung	G1	WP
Art. N°	Description		(bar)
290.380	DRV 1/4"	IG G1/4"	350
290.381	DRV 3/8"	IG G3/8"	350
290.382	DRV 1/2"	IG G1/2"	350
290.383	DRV 3/4"	IG G3/4"	350
290.384	DRV 1"	IG G1"	350



G1 Gewinde / Thread
WP (bar) Betriebsdruck / Working pressure